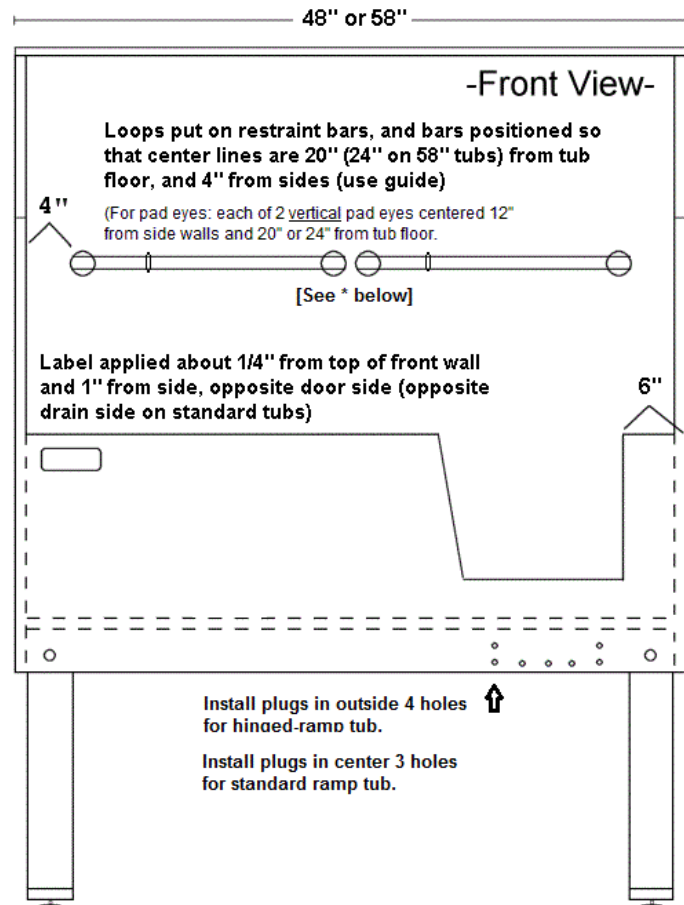
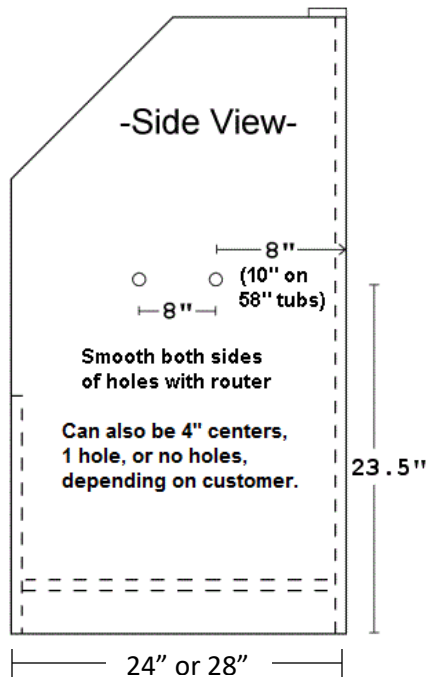
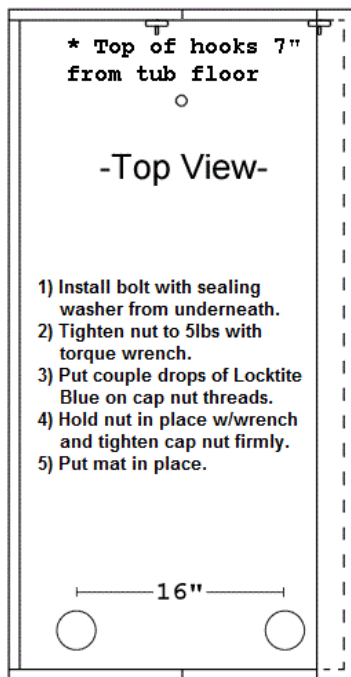


48" and 58" Poly Tub

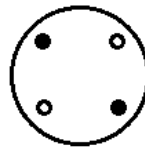
updated 12/16



- 1) Use 2-side tape to position template hooks.
- 2) Put ramp in position against back wall on height stand to position hooks.
- 3) Drill in screw most of the way and then back out for each hook hole, and remove debris.
- 4) Install hooks with lightest (#1) drill setting, then carefully tighten by hand being careful not to strip hole.



- 1) Install bolt with sealing washer from underneath.
- 2) Tighten nut to 5lbs with torque wrench.
- 3) Put couple drops of Loctite Blue on cap nut threads.
- 4) Hold nut in place w/wrench and tighten cap nut firmly.
- 5) Put mat in place.



* 2 bolts put in each end of restraint bar in this configuration, from front to back, attached with locknut on back of tub.